

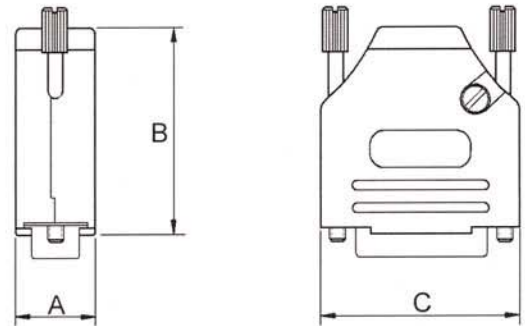
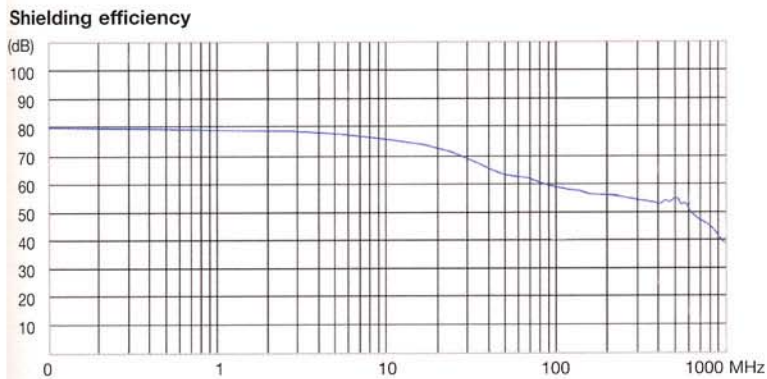
Euro Die Cast Top Cable Entry Hood with Long Thumbscrews

TECHNICAL SPECIFICATIONS

Material:	Zinc, Black
Operating Temperature:	-40°C to +120°C
Cable Entry:	Top
Thumbscrews:	UNC 4-40 (standard) M2,5/M2,6 or M3,0 on request
Cable Diameter:	From 4,3 mm Up to 13,0 mm
Screening Test:	SP Swedish National Testing and Research Institute
Cable Grommet set:	Four different sizes 4, 5, 7, 9 mm



Screening Effectiveness



Features:

- Available in sizes 9-15-25-37
- Excellent EMI Shielding
- Re-openable
- Strain relief inserts ensure a secure termination
- Full Metal Jackscrew as standard. Plastic knob on Request.

Size	Dim A	Dim B	Dim C
9-way	15,0	39,9	31,2
15-way	15,0	41,5	39,5
25-way	15,0	48,6	53,4
37-way	15,0	53,6	69,7