

Electrical Characteristics

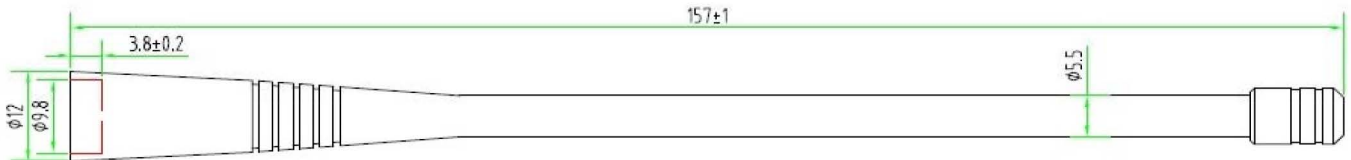
Working Frequency	418 MHz
V.S.W.R	<=1.5
Typical Antenna Gain	2.15 dBi
Polarization	Linear
Impedance	50 Ohm

Material & Mechanical Characteristics

Material of Radiator	CU
Material of Plastic	TPEE
Connector Type	SMA

Environment

Operation Temperature	- 30°C~ + 85°C
Storage Temperature	- 30°C~ + 85°C



How to order

Series No.	Connector
SA-O	01
	01: SMA Straight Male

Electrical Characteristics

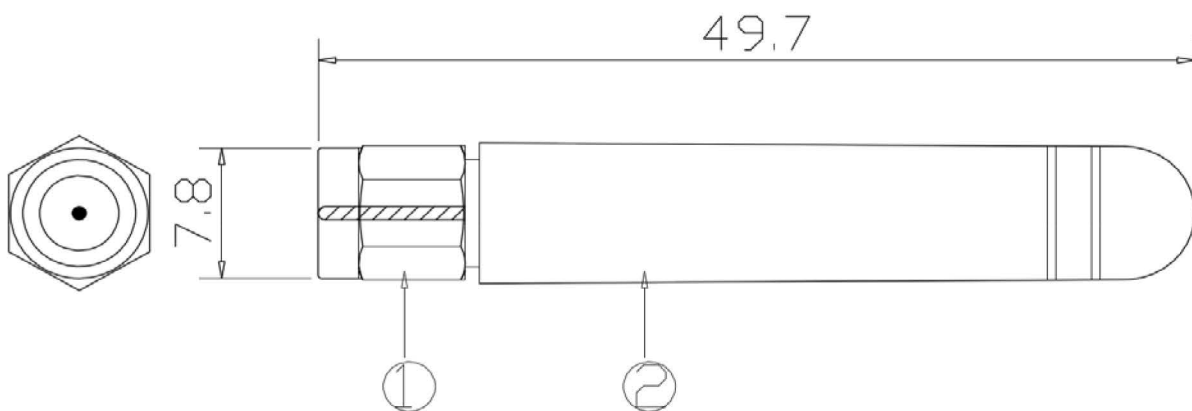
Working Frequency	868 MHz
V.S.W.R	≤ 2.0
Typical Antenna Gain	3.0 +/-0.5 dBi
Polarization	Linear
Impedance	50 Ohm

Material & Mechanical Characteristics

Material of Radiator	CU
Material of Plastic	PC + ABS
Connector Type	SMA or Optional

Environment

Operation Temperature	- 30°C~ + 85°C
Storage Temperature	- 30°C~ + 85°C


How to order

Series No.	TYPE	Connector
SA-L1	05	01
		01: SMA Male

Electrical Characteristics

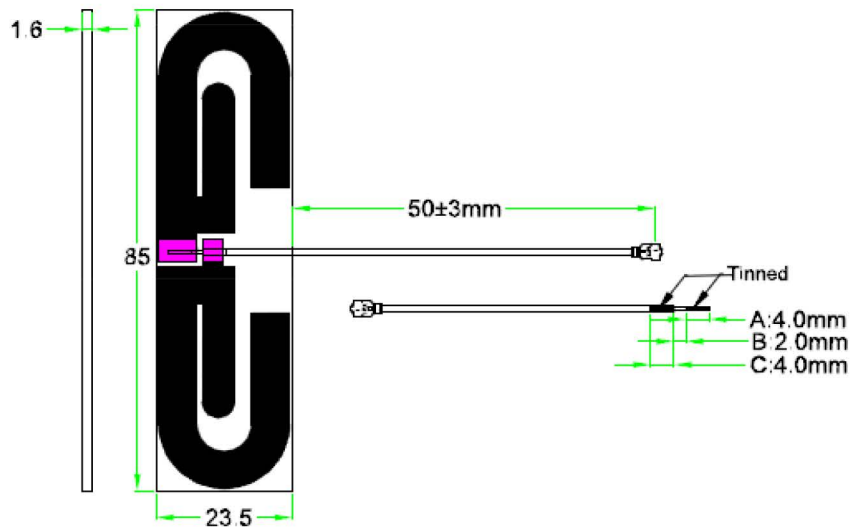
Working Frequency	Customized
V.S.W.R	Customized
Typical Antenna Gain	Customized
Polarization	Customized
Impedance	Customized

Material & Mechanical Characteristics

Material of Radiator	
Material of Plastic	
Connector Type	

C. Environment

Operation Temperature	- 30°C~ + 85°C
Storage Temperature	- 30°C~ + 85°C


How to order

Send us your requirement and we will provide a manufacturing proposal.