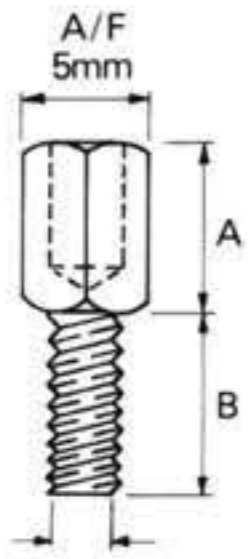


D-Sub Accessories



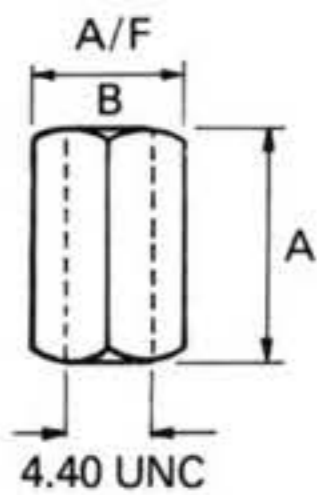
Female screwlock in Brass with Nickel finish. Supplied in pairs.

Kit includes 2 posts, 2 spring washers, 4 plain washers, 2 nuts. Inner and outer threads 4.40 UNC.

Special threads and lengths available.

DIMENSIONS mm

A	B	PART NO.
5	8.1	R62-8.1MM-KIT
5	15.0	R62-15MM-KIT



Hex Extender

Threaded spacer or stand-off 4.40 UNC. Suitable for cable-cable and straight printed circuit mounting.

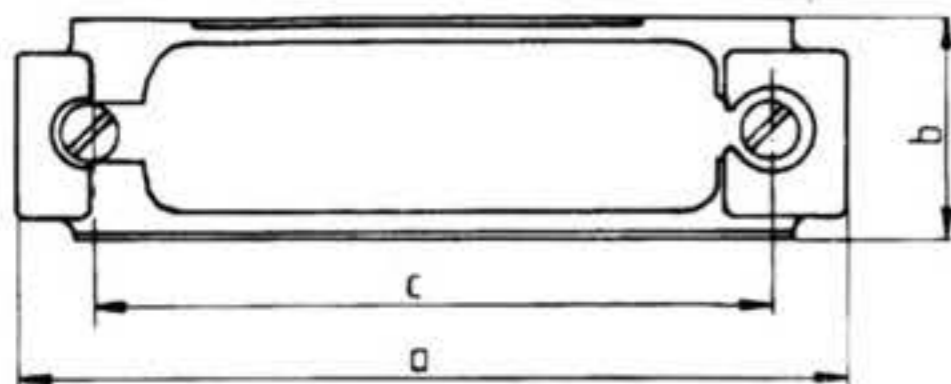
DIMENSIONS mm

A	B
6	5



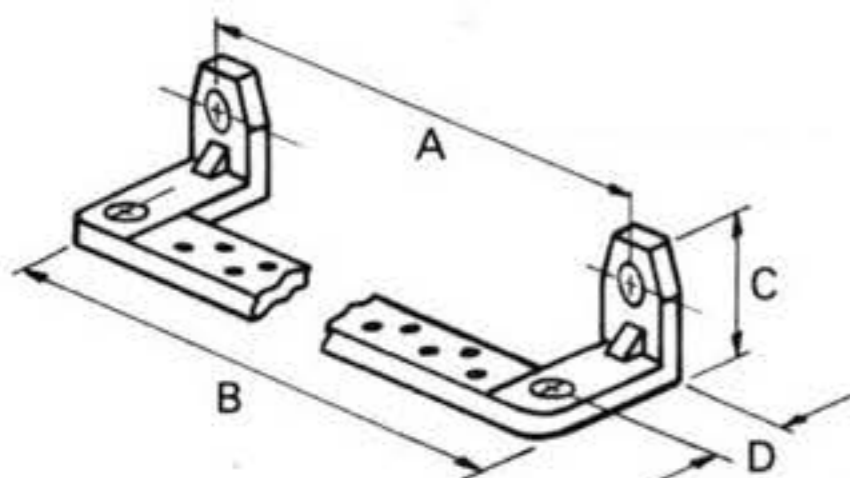
Male screwlock in steel supplied in pairs. Thread 4.40 UNC (Equivalent to 20419 - 2).

Part No.: R62-MD20419



Lockable 9, 15, 25, and 37 way slide lock assemblies. 4-40 UNC Thread - Tinned finish

Part No.	a	b	c
R62-09-SL	35.5	12.7	25.0
R62-15-SL	43.7	12.7	33.3
R62-25-SL	57.4	12.7	47.0
R62-37-SL	73.9	12.7	63.5
R62-50-SL	71.5	15.5	61.1



One piece mounting bracket, moulded in black glass-filled nylon. Used for right angled, printed circuit connectors.

DIMENSIONS IN MM

SIZE	A	B	C	D	PART NO.
9	25.0	30.9	7.4	10.7	R54-MB09
15	33.3	39.2	7.4	10.7	R54-MB15
25	47.0	53.0	7.4	10.7	R54-MB25
37	63.5	69.5	7.4	10.7	R54-MB37
50	61.1	67.1	8.8	12.0	R54-MB50