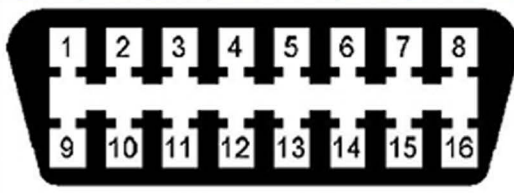


Available from Sherwood Electronics Ltd OBD-II (On-Board Diagnostics) Assemblies

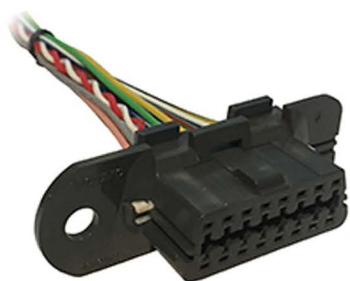
On-board diagnostics (OBD) is an automotive term referring to a vehicle's self-diagnostic and reporting capability. OBD systems give the vehicle owner or repair technician access to the status of the various vehicle subsystems. The amount of diagnostic information available via OBD has varied widely since its introduction in the early 1980s versions of on-board vehicle computers. Early versions of OBD would simply illuminate a malfunction indicator light or "idiot light" if a problem was detected but would not provide any information as to the nature of the problem. Modern OBD implementations use a standardised digital communications port to provide real-time data in addition to a standardised series of diagnostic trouble codes, or DTCs, which allow one to rapidly identify and remedy malfunctions within the vehicle.

Sherwood Electronics can manufacture OBD-II cable assemblies compatible with many popular vehicle specifications. For more information the please contact the sales office.



PIN	DESCRIPTION	PIN	DESCRIPTION
1	Vendor Option	9	Vendor Option
2	J1850 Bus +	10	J1850 Bus -
3	Vendor Option	11	Vendor Option
4	Chassis Ground	12	Vendor Option
5	Signal Ground	13	Vendor Option
6	CAN (J-2234) High	14	CAN (J-2234) Low
7	ISO 9141-2 Line	15	ISO 9141-2 Low
8	Vendor Option	16	Battery Power

OBD-II Connector and Pinout



Volvo



BMW A Post



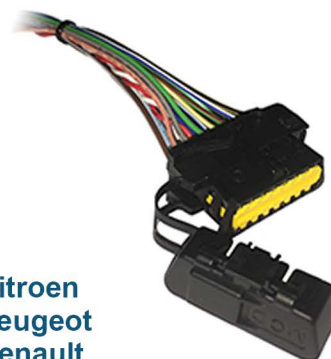
Fiesta
Nissan
Toyota
Lexus



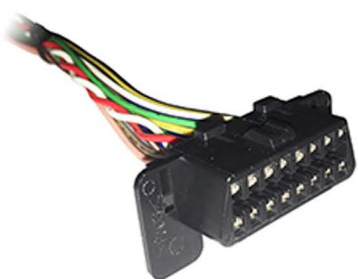
Ford
GM
Chrysler



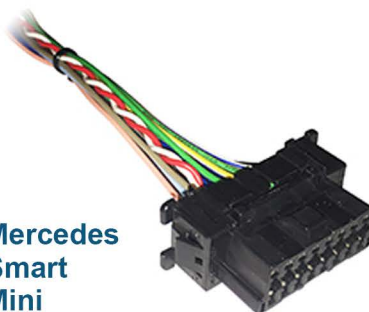
Audi
Volkswagon
Porsche
Skoda
Seat



Citroen
Peugeot
Renault



GM Astra



Mercedes
Smart
Mini
BMW



Female OBD-II connector fitted to a vehicle



Sherwood Electronics Ltd

Units 1-2, Paragon Works, Wilsthorpe Road,
Long Eaton, Nottingham, NG10 3JW
Tel No.: 0115 972 0100 Fax No.: 0115 972 1900
E-Mail: sales@sherwoodelectronics.co.uk
Web: www.sherwoodelectronics.co.uk